

Product Guide

Quality products made
to your specifications.



Nyloplast[®]

**Tomorrow's
Storm Drainage
Structures
Today.**

Table of Contents

	Page
Minimum Angle Chart	1
Inline Drains	2
Drain Basins	8
Curb Inlet Structures	14
Road & Highway Structures	17
Riser Section	20
Drop-In Grates	21
Grate Options & Information	22
Accessories	25
NPDES Related Products	26
Order Forms	32
How to Build a Part Number	34
Cost Comparison	37
Sales & Service Locations	38
Terms & Conditions	39



Quick Reference

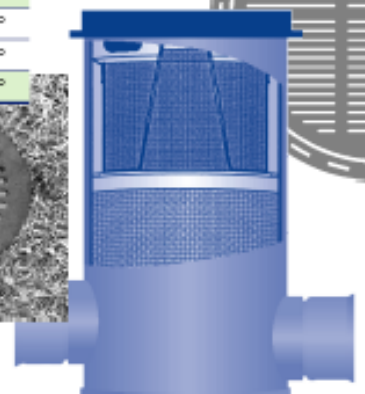
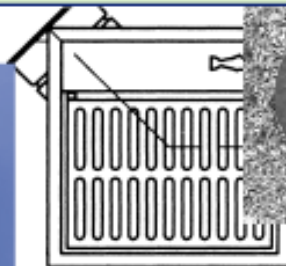
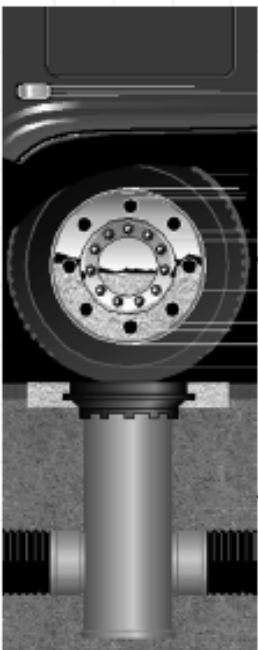
Minimum Angle Chart

Minimum Angle Between Adapters

This chart is not for Snout or Weir Structures.

Contact Nyloplast for Snout and Weir Structure minimum Angles.

Adapter Size	8" Basin Min Angle	10" Basin Min Angle	12" Basin Min Angle	15" Basin Min Angle	18" Basin Min Angle	24" Basin Min Angle	30" Basin Min Angle
4"-04"	70°	55°	50°	42°	35°	25°	24°
4"-06"	75°	70°	55°	47°	40°	29°	25°
4"-08"	100°	80°	65°	55°	45°	35°	28°
4"-10"	•	95°	75°	62°	52°	40°	32°
4"-12"	•	•	85°	70°	55°	45°	40°
4"-15"	•	•	•	80°	65°	51°	44°
4"-18"	•	•	•	•	76°	60°	50°
4"-24"	•	•	•	•	•	75°	62°
4"-30"	•	•	•	•	•	•	75°
6"-06"	90°	75°	65°	55°	44°	33°	30°
6"-08"	115°	85°	75°	63°	51°	39°	34°
6"-10"	•	106°	85°	70°	55°	43°	38°
6"-12"	•	•	95°	75°	63°	48°	45°
6"-15"	•	•	•	86°	72°	56°	48°
6"-18"	•	•	•	•	84°	63°	55°
6"-24"	•	•	•	•	•	77°	66°
6"-30"	•	•	•	•	•	•	75°
8"-08"	165°	90°	80°	70°	55°	44°	35°
8"-10"	•	115°	88°	76°	63°	48°	45°
8"-12"	•	•	102°	83°	70°	52°	48°
8"-15"	•	•	•	96°	78°	60°	55°
8"-18"	•	•	•	•	90°	70°	60°
8"-24"	•	•	•	•	•	82°	70°
8"-30"	•	•	•	•	•	•	80°
10"-10"	•	160°	90°	82°	70°	53°	48°
10"-12"	•	•	115°	85°	75°	58°	50°
10"-15"	•	•	•	103°	85°	65°	58°
10"-18"	•	•	•	•	97°	72°	65°
10"-24"	•	•	•	•	•	88°	75°
10"-30"	•	•	•	•	•	•	85°
12"-12"	•	•	150°	90°	82°	64°	56°
12"-15"	•	•	•	112°	87°	69°	60°
12"-18"	•	•	•	•	102°	78°	68°
12"-24"	•	•	•	•	•	92°	80°
12"-30"	•	•	•	•	•	•	90°
15"-15"	•	•	•	150°	90°	77°	69°
15"-18"	•	•	•	•	110°	84°	75°
15"-24"	•	•	•	•	•	98°	85°
15"-30"	•	•	•	•	•	•	95°
18"-18"	•	•	•	•	150°	90°	78°
18"-24"	•	•	•	•	•	108°	88°
18"-30"	•	•	•	•	•	•	100°
24"-24"	•	•	•	•	•	150°	90°
24"-30"	•	•	•	•	•	•	115°
30"-30"	•	•	•	•	•	•	150°



Inline Drains



HOW DO YOU BUILD A PART NUMBER?
See page (34) for Inline Drains

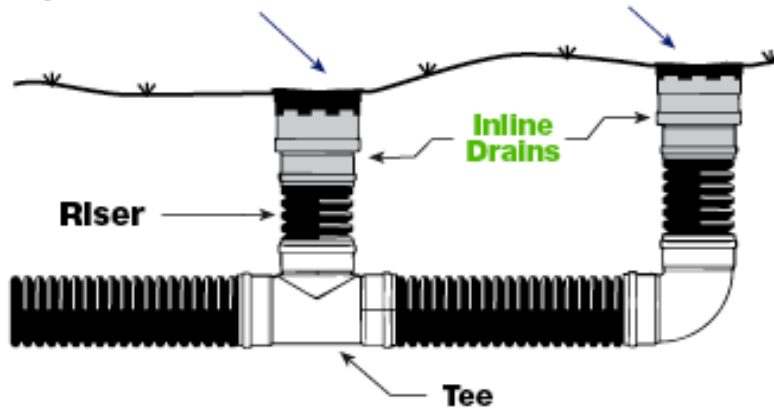
Part#/Prefix	Product Description	Available Outlets
2708AG__X	8" Inline Drain	4" thru 8"
2710AG__X	10" Inline Drain	4" thru 10"
2712AG__X	12" Inline Drain	4" thru 12"
2715AG__X	15" Inline Drain	4" thru 15"
2718AG__X	18" Inline Drain	4" thru 18"
2724AG__X	24" Inline Drain	4" thru 24"
2730AG__X	30" Inline Drain	4" thru 30"

Includes any grate option except bronze and domed. Bronze grates are available in 8", 10", 12", or 15" for Drain Basins and Inline Drains only.

When are Inline Drains Used?

To enter a new or existing line by means of a riser and a tee.

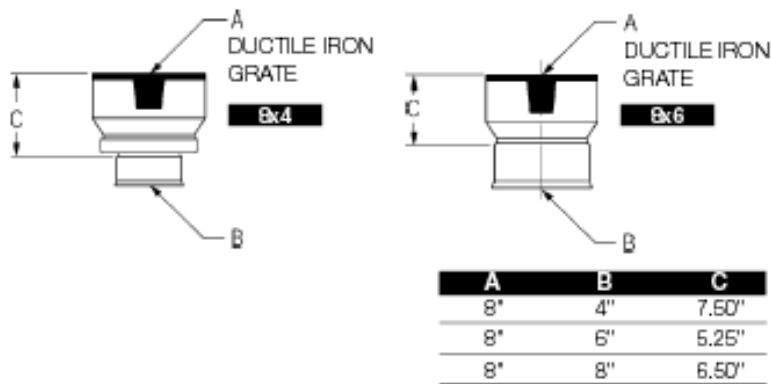
At the beginning of a drain line.



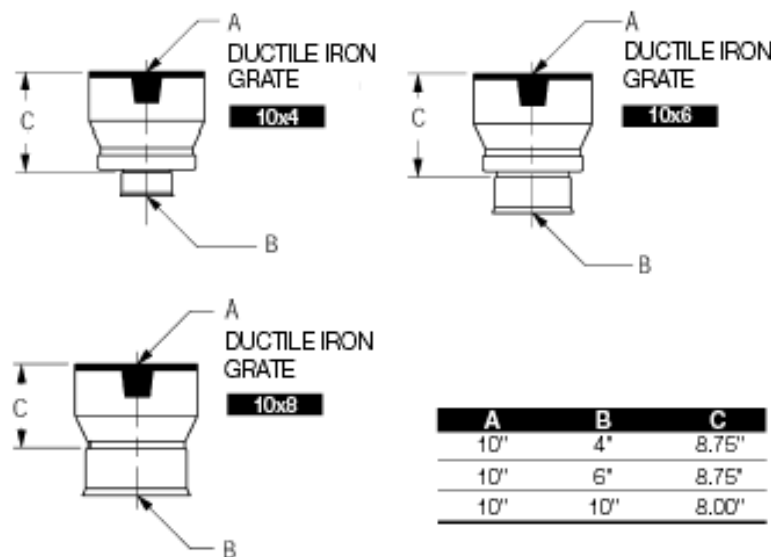
8" & 10" Inline Drains

Part#/Prefix	Product Description	Available Outlets
2708AG_X	8" Inline Drain	4" thru 8"
2710AG_X	10" Inline Drain	4" thru 10"

8" Inline Drains



10" Inline Drains

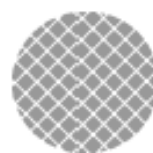


8" & 10" Grate Options

Light Duty Bronze Grate Available (see pg. 22)



Standard



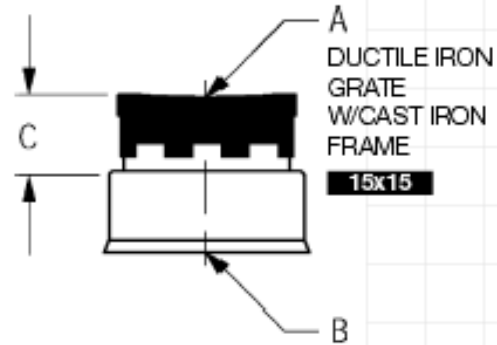
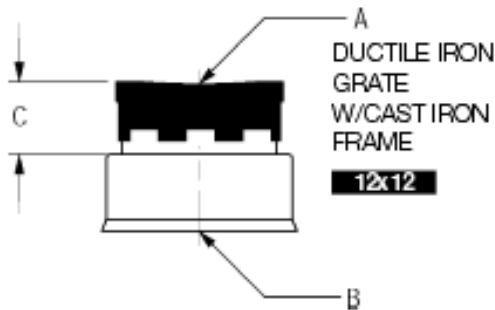
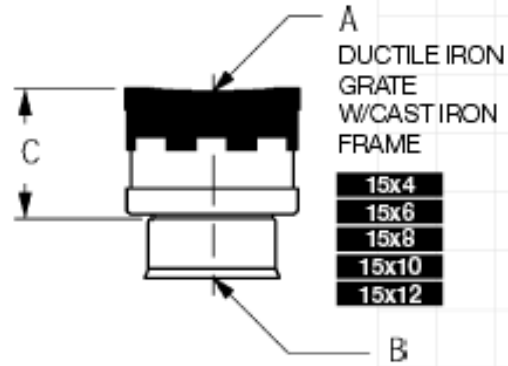
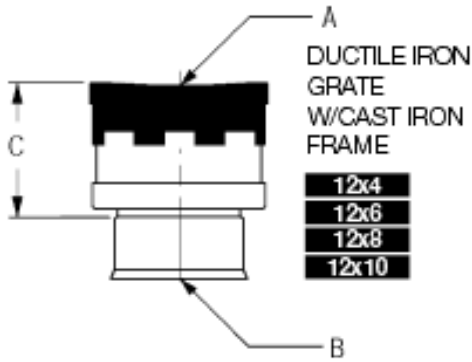
Solid



Domed

12" & 15" Inline Drains

Part#/Prefix	Product Description	Available Outlets
2712AG_X	12" Inline Drain	4" thru 12"
2715AG_X	15" Inline Drain	4" thru 15"



A	B	C
12"	4"	10.50"
12"	6"	11.50"
12"	8"	11.50"
12"	10"	11.25"
12"	12"	6.00"

A	B	C
15"	4"	13.25"
15"	6"	12.75"
15"	8"	12.25"
15"	10"	13.50"
15"	12"	12.75"
15"	15"	7.00"

12" & 15" Grate Options

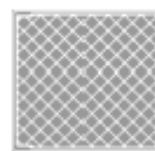
Light Duty
Bronze Grate
Available
(see pg. 22)



Standard
H-20 Rated



Pedestrian
H-10 Rated



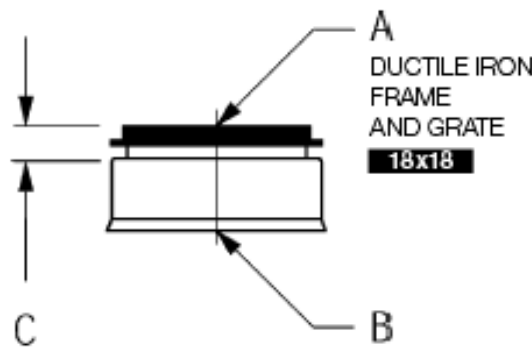
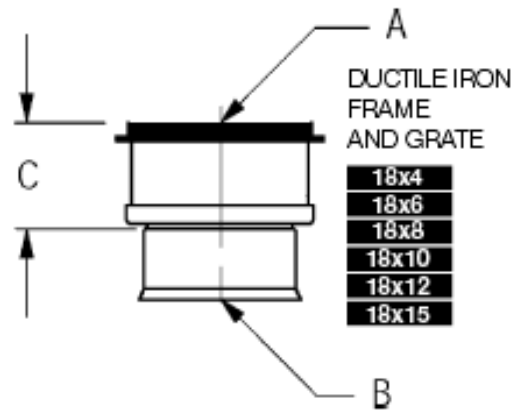
Solid



Domed

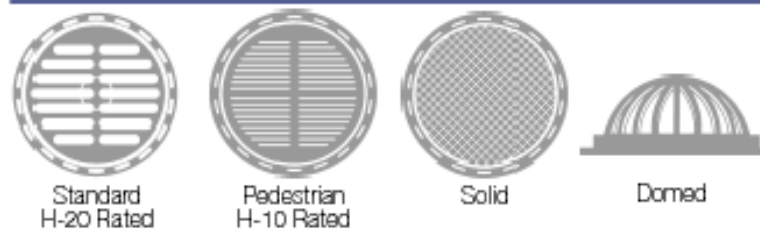
18" Inline Drains

Part#/Prefix	Product Description	Available Outlets
2718AG_X	18" Inline Drain	4" thru 18"



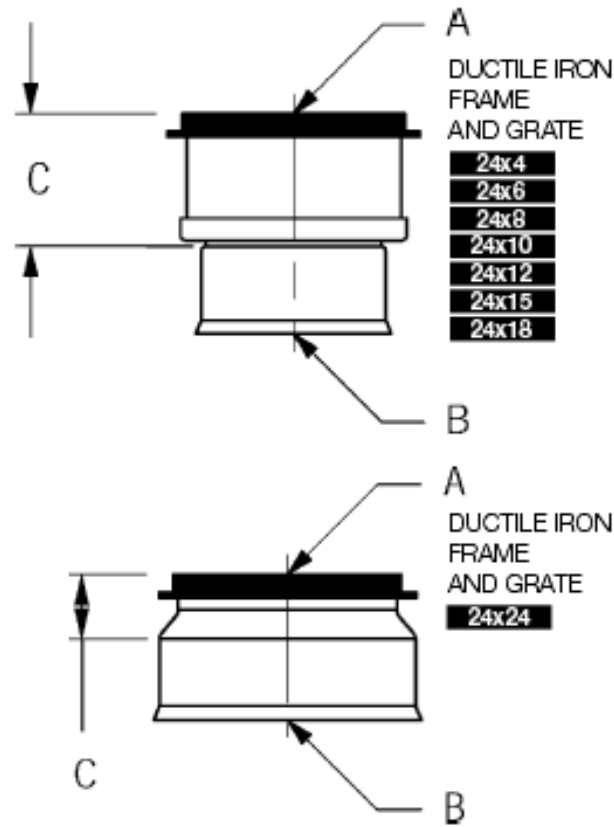
A	B	C
18"	4"	14.00"
18"	6"	14.00"
18"	8"	14.00"
18"	10"	14.00"
18"	12"	14.00"
18"	15"	13.50"
18"	18"	8.25"

18" Grate Options



24" Inline Drains

Part#/Prefix	Product Description	Available Outlets
2724AG__X	24" Inline Drain	4" thru 24"



A	B	C
24"	4"	15.00"
24"	6"	15.00"
24"	8"	15.00"
24"	10"	15.00"
24"	12"	15.00"
24"	15"	15.00"
24"	18"	10.00"
24"	24"	10.25"

24" Grate Options



Standard
H-20 Rated



Pedestrian
H-10 Rated



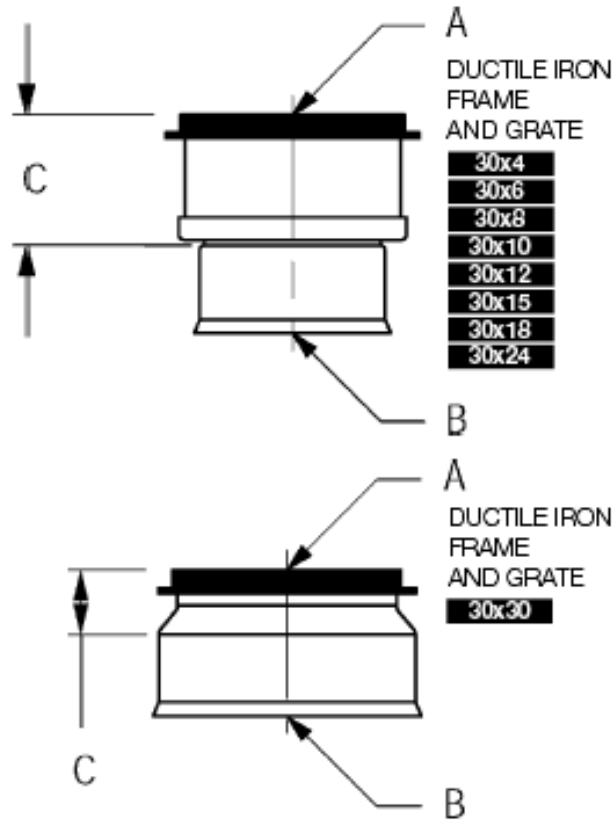
Solid



Domed

30" Inline Drains

Part#/Prefix	Product Description	Available Outlets
2730AG_X	30" Inline Drain	4" thru 30"



A	B	C
30"	4"	15.25"
30"	6"	15.50"
30"	8"	15.75"
30"	10"	16.00"
30"	12"	16.50"
30"	15"	17.00"
30"	18"	17.75"
30"	24"	14.00"
30"	30"	9.50"

30" Grate Options



Drain Basins



HOW DO YOU BUILD A PART NUMBER? See page (34) for Drain Basins

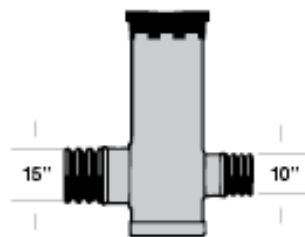
A riser will be supplied with structures over 84".

Part#/Prefix	Product Description	Available Outlets
2808AG__X	8" Standard Basin*	4" & 6" ONLY max 2 outlets / max height 13"
2810AG__X	10" Standard Basin*	4", 6 & 8" ONLY max 2 outlets / max height 20"
2808AG__X	8" Custom Basin	4" thru 8"
2810AG__X	10" Custom Basin	4" thru 10"
2812AG__X	12" Custom Basin	4" thru 12"
2815AG__X	15" Custom Basin	4" thru 15"
2818AG__X	18" Custom Basin	4" thru 18"
2824AG__X	24" Custom Basin	4" thru 24"
2830AG__X	30" Custom Basin	4" thru 30"

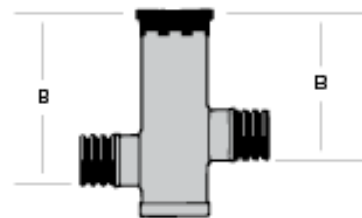
Includes any grate option except bronze and domed. Bronze grates are available in 8", 10", 12", or 15" for Drain Basins and Inline Drains only.

*Fixed height and inverts.

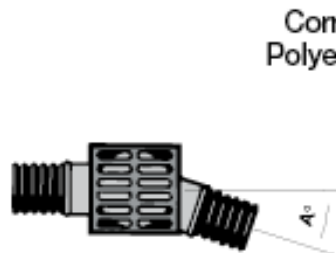
When are Drain Basins Used?



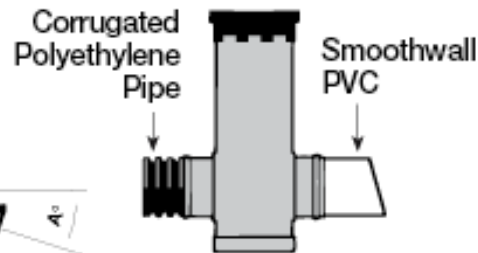
Change Diameter



Change Elevation



Change Direction



Change Pipe

8" & 10" Drain Basins

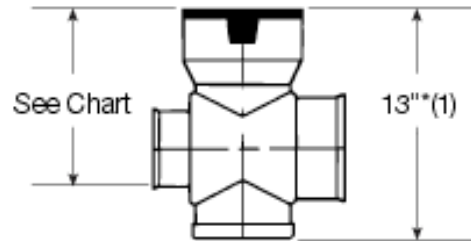
Part#/Prefix	Product Description	Available Outlets
2808AG__X	8" Standard Basin*	4" & 6" ONLY max 2 outlets / max height 13"
2810AG__X	10" Standard Basin*	4", 6 & 8" ONLY max 2 outlets / max height 20"
2808AG__X	8" Custom Basin	4" thru 8"
2810AG__X	10" Custom Basin	4" thru 10"

* Fixed height and inverts

All custom & standard basins will have a drop-in grate

8" Drain Basin

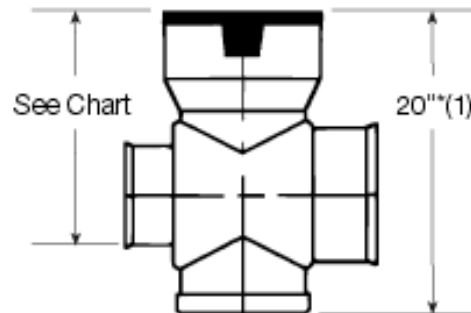
*(1) FIXED
OVERALL HEIGHT
CUSTOM SIZES
AVAILABLE



Adapter Size	Fixed Invert Height
4"	10.25"
6"	11.13"

10" Drain Basin

*(1) FIXED
OVERALL HEIGHT
CUSTOM SIZES
AVAILABLE



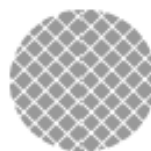
Adapter Size	Fixed Invert Height
4"	13.75"
6"	14.62"
8"	15.62"

8" & 10" Grate Options

Light Duty
Bronze Grate
Available
(see pg. 22-23)



Standard



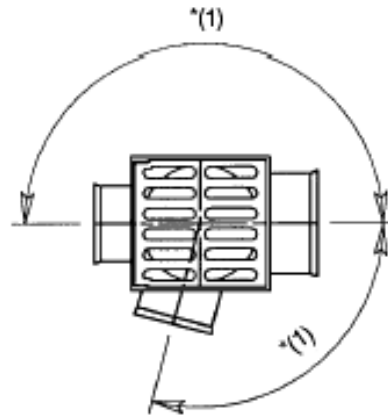
Solid



Domed

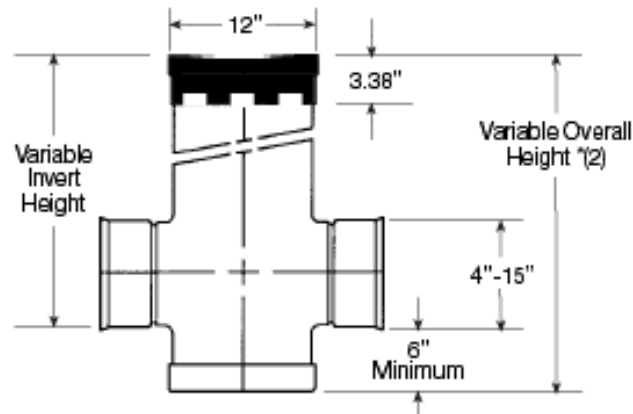
12" & 15" Drain Basins

Part#/Prefix	Product Description	Available Outlets
2812AG__X	12" Custom Basin	4" thru 12"
2815AG__X	15" Custom Basin	4" thru 15"



*(1) Adapters can be mounted on any angle 0° to 359°.

To determine minimum angle between adapters please see chart on page (1).



*(2) Maximum recommended overall height 10'

12" & 15" Grate Options

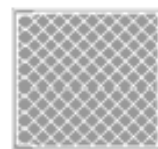
Light Duty Bronze Grate Available (see pg. 22-23)



Standard H-20 Rated



Pedestrian H-10 Rated

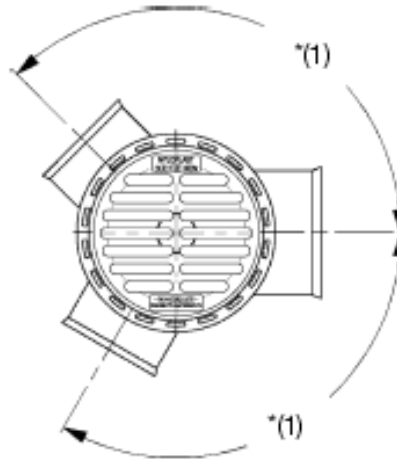


Solid



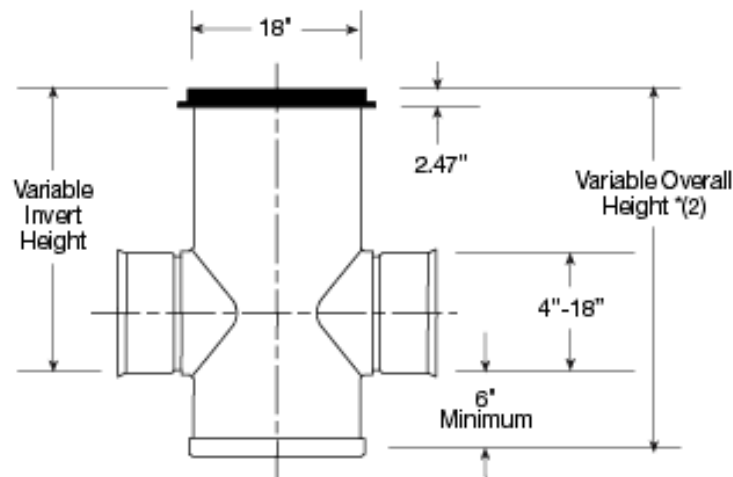
Domed

Part#/Prefix	Product Description	Available Outlets
2818AG_X	18" Custom Basin	4" thru 18"



⁽¹⁾ Adapters can be mounted on any angle 0° to 359°.

To determine minimum angle between adapters please see chart on page (1).



⁽²⁾ Maximum recommended overall height 10'

18" Grate Options



Standard
H-20 Rated



Pedestrian
H-10 Rated



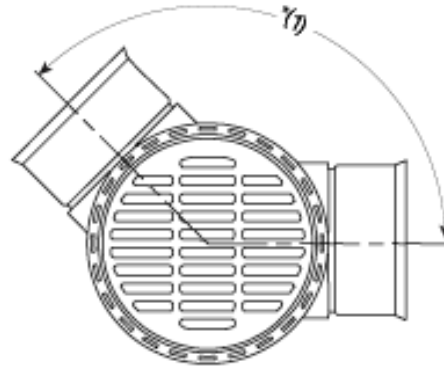
Solid



Domed

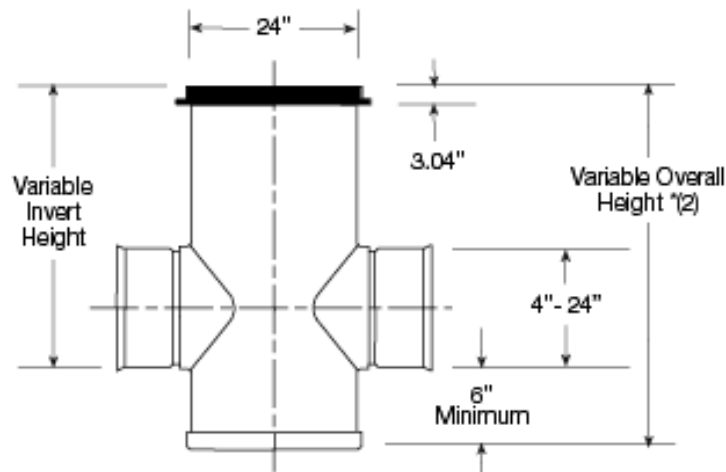
24" Drain Basins

Part#/Prefix	Product Description	Available Outlets
2824AG__X	24" Custom Basin	4" thru 24"



⁽¹⁾ Adapters can be mounted on any angle 0° to 359°.

To determine minimum angle between adapters please see chart on page (1).



⁽²⁾ Maximum recommended overall height 10'

24" Grate Options



Standard
H-20 Rated



Pedestrian
H-10 Rated

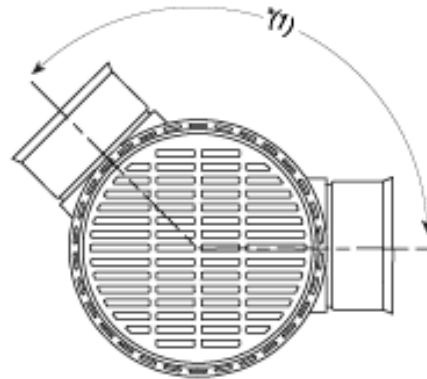


Solid



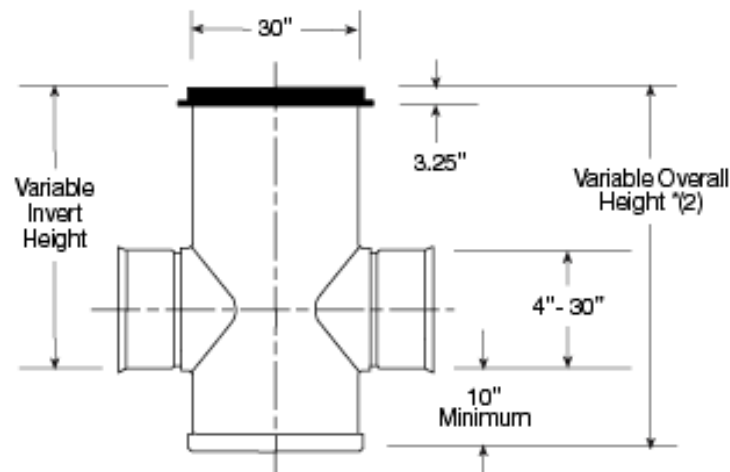
Domed

Part#/Prefix	Product Description	Available Outlets
2830AG_X	30" Custom Basin	4" thru 30"



⁽¹⁾ Adapters can be mounted on any angle 0° to 359°.

To determine minimum angle between adapters please see chart on page (1).



⁽²⁾ Maximum recommended overall height 10'

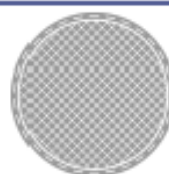
30" Grate Options



Pedestrian
H-20 Rated



Standard
H-20 Rated

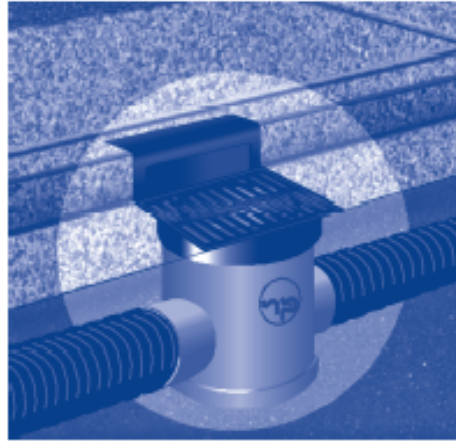


Solid



Domed

Curb Inlet Structures



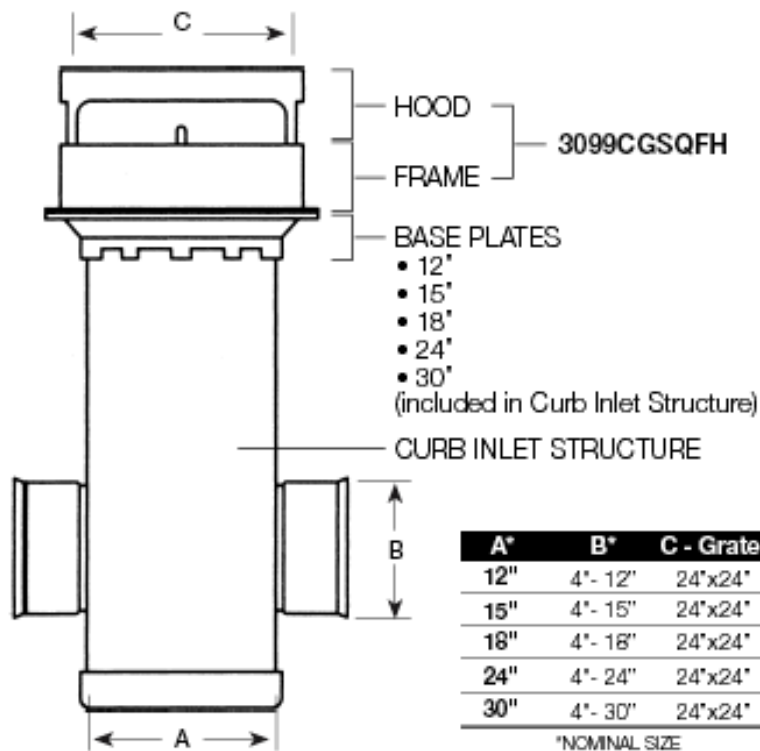
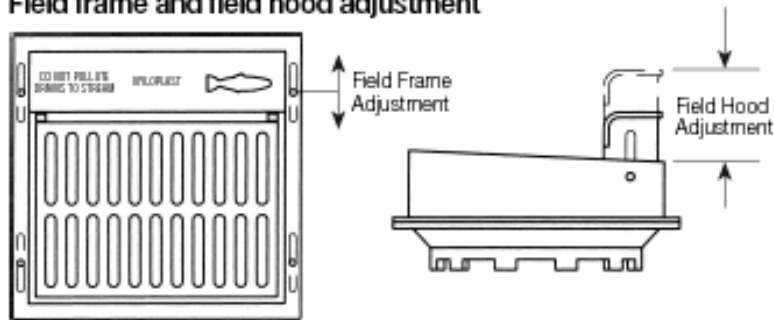
**HOW DO YOU BUILD A PART NUMBER?
See page (35) for Curb Inlet Structures**

A riser will be supplied with structures over 84".

Part#/Prefix	Product Description	Available Outlets
12" Curb Inlet Structure 3012AGS__X	(page 15) 2'x2' Series Square Grate	4" thru 12"
15" Curb Inlet Structure 3015AGS__X	(page 15) 2'x2' Series Square Grate	4" thru 15"
18" Curb Inlet Structure 3018AGS__X	(page 15) 2'x2' Series Square Grate	4" thru 18"
18" Curb Inlet Structure 3018AGR__X	(page 16) 2'x3' Series Rectangular Grate	4" thru 18"
24" Curb Inlet Structure 3024AGS__X	(page 15) 2'x2' Series Square Grate	4" thru 24"
24" Curb Inlet Structure 3024AGR__X	(page 16) 2'x3' Series Rectangular Grate	4" thru 24"
30" Curb Inlet Structure 3030AGS__X	(page 15) 2'x2' Series Square Grate	4" thru 30"
30" Curb Inlet Structure 3030AGR__X	(page 16) 2'x3' Series Rectangular Grate	4" thru 30"

See chart on page (14) for 2'x2' part numbers

Field frame and field hood adjustment



2'x2' Grate Options



Standard H-20

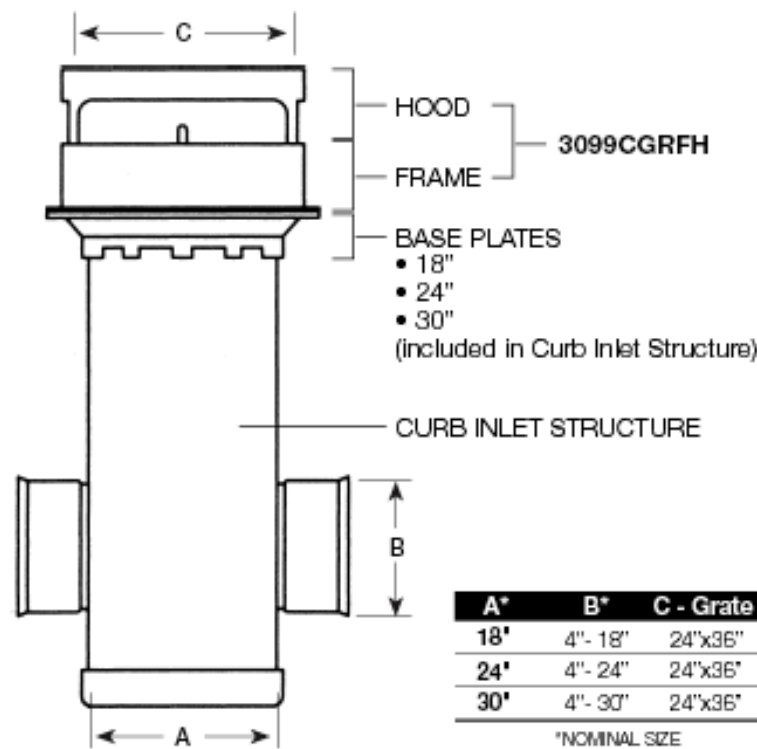
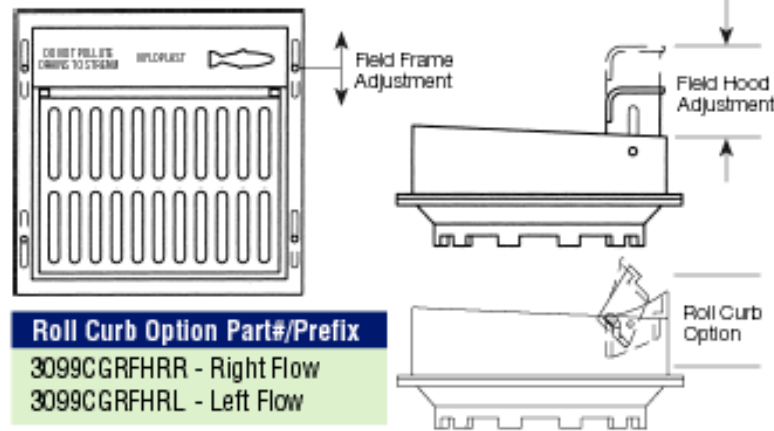


Diagonal Flow H-20

Curb Inlets with 2'x3' Grate

See chart on page (14) for 2'x3' Curb Inlet part numbers

Field frame and field hood adjustment



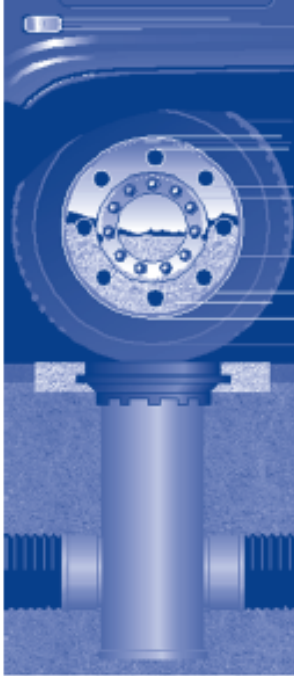
2'x3' Grate Options



Diagonal Flow



High Flow Vane
 (Roll Curb - right flow or left flow)



**HOW DO YOU BUILD A PART NUMBER?
See page (36)
for Road & Highway Structures**

A riser will be supplied with structures over 84".

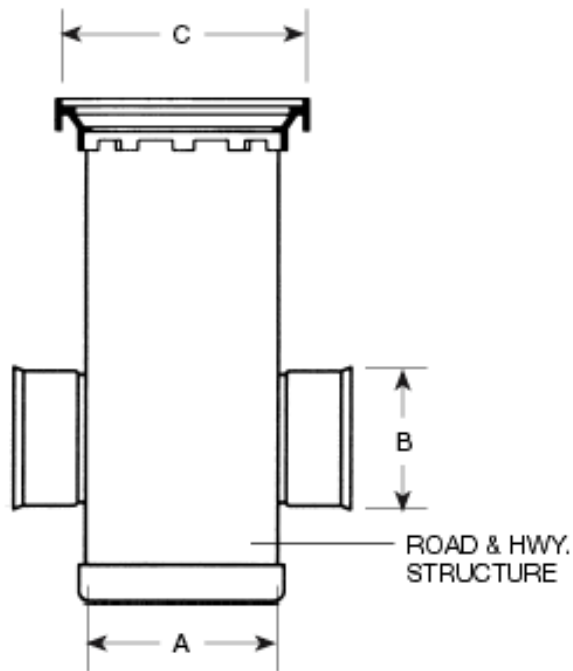
Part#/Prefix	Product Description	Available Outlets
12" Road & Hwy. Structure 3212AGS__X	(page 18) 2'x2' Series Square Grate	4" thru 12"
15" Road & Hwy. Structure 3215AGS__X	(page 18) 2'x2' Series Square Grate	4" thru 15"
18" Road & Hwy. Structure 3218AGS__X	(page 18) 2'x2' Series Square Grate	4" thru 18"
18" Road & Hwy. Structure 3218AGR__X	(page 19) 2'x3' Series Rectangular Grate	4" thru 18"
24" Road & Hwy. Structure 3224AGS__X	(page 18) 2'x2' Series Square Grate	4" thru 24"
24" Road & Hwy. Structure 3224AGR__X	(page 19) 2'x3' Series Rectangular Grate	4" thru 24"
30" Road & Hwy. Structure 3230AGS__X	(page 18) 2'x2' Series Square Grate	4" thru 30"
30" Road & Hwy. Structure 3230AGR__X	(page 19) 2'x3' Series Rectangular Grate	4" thru 30"

For Steel Bar Grate And Frame

Part#/Prefix	Product Description
3299CGSQFSB__	2' x 2' Steel Bar Grate with Frame
3299CGRFSB__	2' x 3' Steel Bar Grate with Frame

Road & Highway with 2'x2' Grate

See chart on page (17)
for 2'x2' Road & Highway Structure part numbers



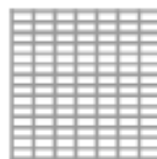
A*	B*	C - Grate
12"	4" - 12"	24"x24"
15"	4" - 15"	24"x24"
18"	4" - 18"	24"x24"
24"	4" - 24"	24"x24"
30"	4" - 30"	24"x24"

*NOMINAL SIZE

2'x2' Grate Options

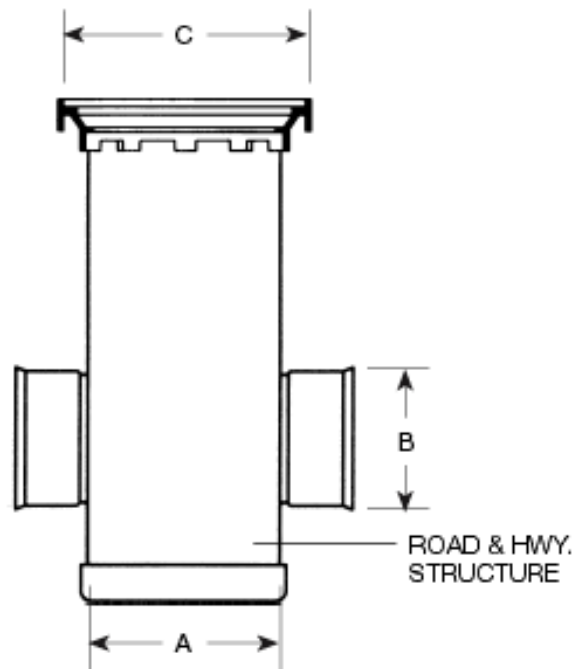


Ductile Iron Grate



Steel Bar Grate

See chart on page (17)
for 2'x3' Road & Highway Structure part numbers



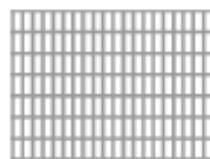
A*	B*	C - Grate
18'	4' - 18"	24'x36'
24'	4' - 24"	24'x36'
30'	4' - 30"	24'x36'

*NOMINAL SIZE

2'x3' Grate Options



Ductile Iron Grate

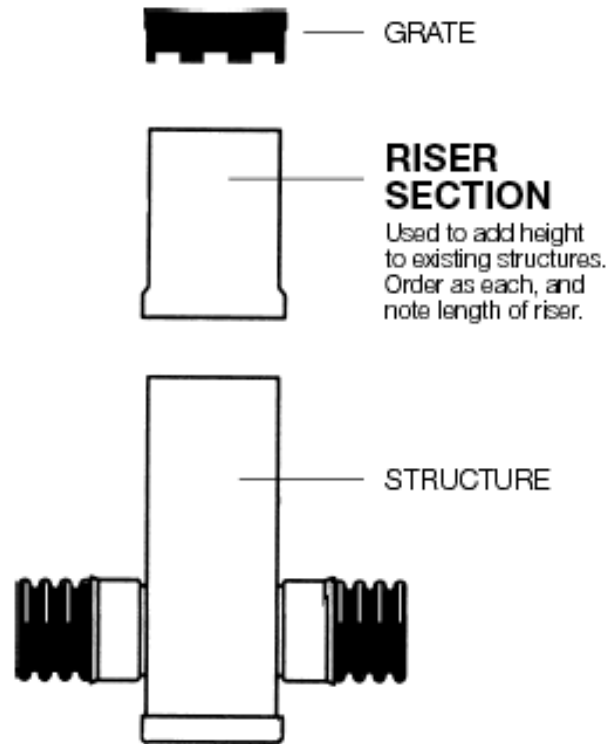


Steel Bar Grate

Riser Section

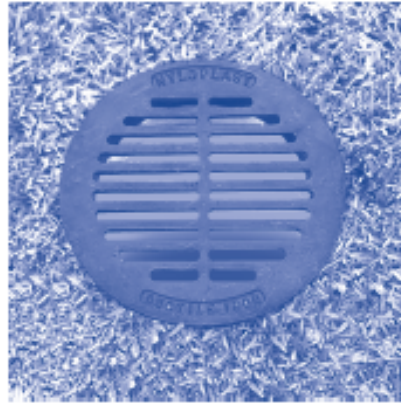


HOW DO YOU BUILD A PART NUMBER?
See page (34) for Riser Section



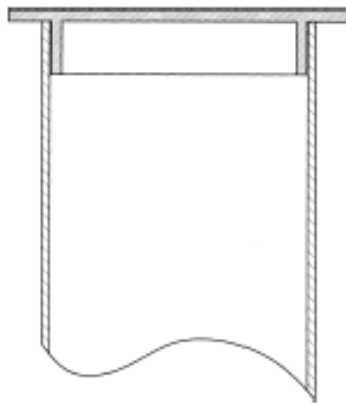
Riser Section Overview Chart

Part#/Prefix	Product Description
2908AG__X	8" Riser Section
2910AG__X	10" Riser Section
2912AG__X	12" Riser Section
2915AG__X	15" Riser Section
2918AG__X	18" Riser Section
2924AG__X	24" Riser Section
2930AG__X	30" Riser Section

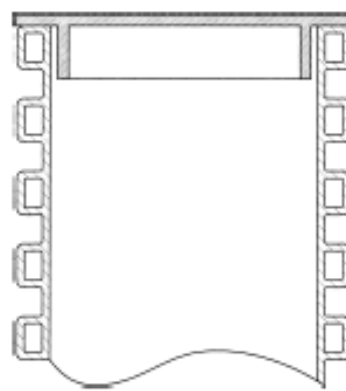


Drop in grates are ductile iron. These are for light duty, turf and landscape applications only.

**Fits Inside
Sewer SDR-35 Pipe
and
IPS SCH 40 Pipe**



**Fits Inside
Corrugated Polyethylene Pipe**



Drop In Grates Overview Chart

Part#/Prefix	Product Description
0601DI	6" Drop In Grate
0801DI	8" Drop In Grate
1001DI	10" Drop In Grate
1201DI	12" Drop In Grate
1501DI	15" Drop In Grate
1801DI	18" Drop In Grate
2401DI	24" Drop In Grate

Grate Only

for Inline Drains & Drain Basins

Grate Only Part Numbers and Description

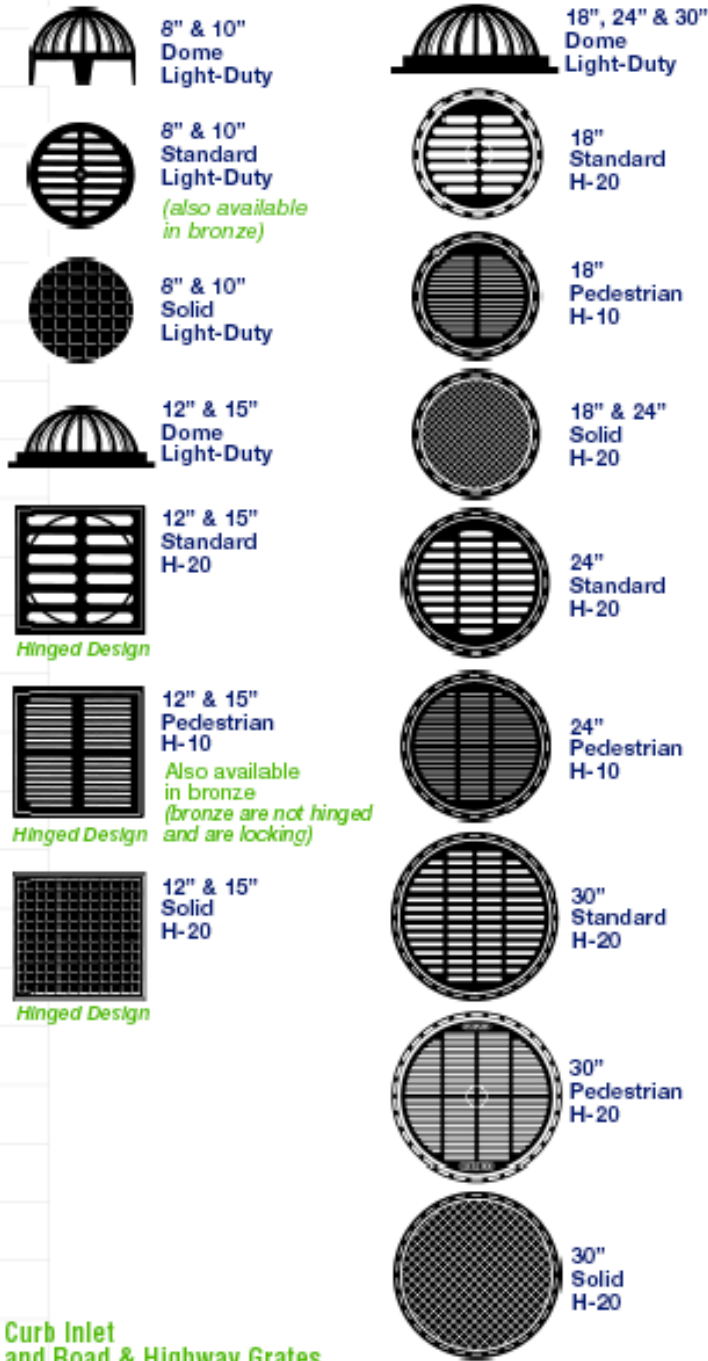
Part#	Product Description
0899CGS	8' Standard Light-Duty Grate
0899CGC	8' Solid Cover
0899CGD	8' Domed Grate
0899CGB	8' Bronze Light-Duty Grate
1099CGS	10" Standard Light-Duty Grate
1099CGC	10" Solid Cover
1099CGD	10" Domed Grate
1099CGB	10" Bronze Light-Duty Grate
1299CGS	12" Standard H-20 Grate
1299CGP	12" Pedestrian Grate
1299CGC	12" Solid H-20 Cover
1299CGD	12" Domed Grate
1299CGPB	12" Bronze Light-Duty Grate
1599CGS	15" Standard H-20 Grate
1599CGP	15" Pedestrian Grate
1599CGC	15" Solid H-20 Cover
1599CGD	15" Domed Grate
1599CGPB	15" Bronze Light-Duty Grate
1899CGS	18" Standard H-20 Grate
1899CGP	18" Pedestrian Grate
1899CGC	18" Solid H-20 Cover
1899CGD	18" Domed Grate
2499CGS	24" Standard H-20 Grate
2499CGP	24" Pedestrian Grate
2499CGC	24" Solid H-20 Cover
2499CGD	24" Domed Grate
3099CGS	30" H-20 Standard Grate
3099CGP	30" Pedestrian Grate
3099CGC	30" Solid H-20 Cover
3099CGD	30" Domed Grate
3099CGSQFH*	2' x 2' Curb Inlet Frame/Hood
3099CGSQ	2' x 2' Standard Grate
3099CGSQDF	2' x 2' Diagonal Flow Grate
Grate excludes base plate	
3299CGSQF12	12" Road & Hwy Square Grate and Frame
3299CGSQF15	15" Road & Hwy Square Grate and Frame
3299CGSQF18	18" Road & Hwy Square Grate and Frame
3299CGSQF24	24" Road & Hwy Square Grate and Frame
3299CGSQF30	30" Road & Hwy Square Grate and Frame
3299CGSQSB_ _	2' x 2' Steel Bar Grate with Frame
3299CGRF18	18" Road & Hwy Rectangle Grate and Frame
3299CGRF24	24" Road & Hwy Rectangle Grate and Frame
3299CGRF30	30" Road & Hwy Rectangle Grate and Frame
3299CGRSB_ _	2' x 3' Steel Bar Grate with Frame

Locking - Add "L" to the end of any grate #

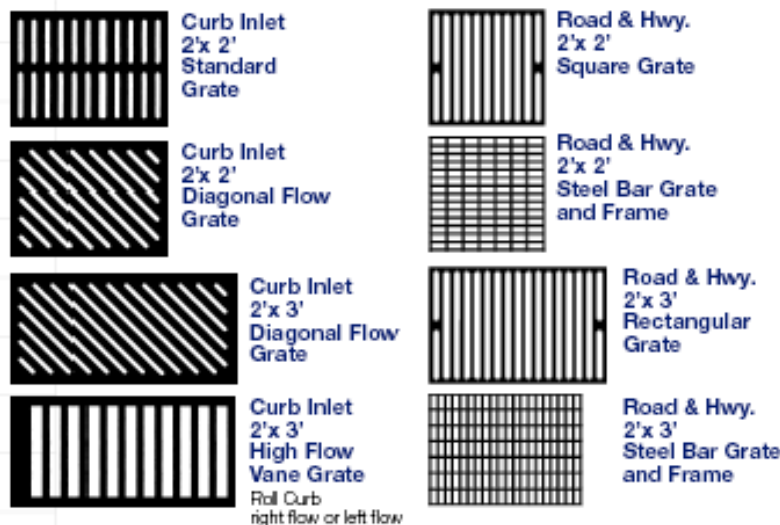
*Sold as one unit - Curb inlet frame/hood and grate or Road & Hwy frame/base plate and grate.

Grate Options

for Inline Drains & Drain Basins



Curb Inlet and Road & Highway Grates



Grate Markers

Public education and outreach is part of the NPDES requirement. Storm drain marking is an established method of involving the public and increasing community awareness about non-point source pollution.

Nyloplast castings come with a recessed area on the grate designed to accommodate these grate markers.

Nyloplast keeps inventory of only the featured marker shown below, however, other markers may be purchased in 100 piece lots as custom orders.

Call for details.



Grate Ordering

How To Build A Part Number

Grates for Inline Drains and Drain Basins

Formula: __ 99 CG x Blank= size of grate.

Choose from 08,10,12,15,18,24,30 depending on size of structure

- (x) = Style. S Standard
 SL Standard Locking
 P Pedestrian - available in 8" - 24"
 PL Pedestrian Locking - available in 8" - 24"
 C Solid Cover
 CL Solid Cover Locking
 B Bronze - available in 8", 10", 12" & 15"
 BL Bronze Locking - available in 8", 10", 12" & 15"
 D Domed - available in 8" - 30"
 DL Domed Locking - available in 8" - 30"

Drop-In Grates

Formula: __ 01 DI Blank= size of grate.

Choose from 06,08,10,12,15,18,24 depending on size of pipe

Curb Inlet Grate Assembly

Order 3099CGSQFH and either 3099CGSQ or 3099CGSQDF:

- 3099CGSQFH 2'x 2' Frame & Hood Assembly (12" - 30")
3099CGSQ 2'x 2' Standard Grate (12" - 30")
3099CGSQDF 2'x 2' Diagonal Flow Grate (12" - 30")

or

Order 3099CGRFH and choose either 3099CGRDF or 3099CGRHF:

- 3099CGRFH 2'x 3' Frame & Hood Assembly (18" - 30")
3099CGRFHR 2'x 3' Frame & Adjustable Roll Curb Assembly - Right Flow (18" - 30")
3099CGRFHL 2'x 3' Frame & Adjustable Roll Curb Assembly - Left Flow (18" - 30")
3099CGRDF 2'x 3' Standard Grate (18" - 30")
3099CGRHF 2'x 3' High Flow Vane Grate (18" - 30")

Road & Highway Grate Assembly

Order 1 each of the following:

- 3299CGSQF12 12" Road & Hwy Square Grate and Frame
3299CGSQF15 15" Road & Hwy Square Grate and Frame
3299CGSQF18 18" Road & Hwy Square Grate and Frame
3299CGSQF24 24" Road & Hwy Square Grate and Frame
3299CGSQF30 30" Road & Hwy Square Grate and Frame
3299CGSQSB __ 2' x 2' Steel Bar Grate with Frame

3299CGRF18 18" Road & Hwy Rectangle Grate and Frame
3299CGRF24 24" Road & Hwy Rectangle Grate and Frame
3299CGRF30 30" Road & Hwy Rectangle Grate and Frame
3299CGRSB __ 2' x 3' Steel Bar Grate with Frame



ADD-a-BRANCH™

Field Installation Kits for Hancor, ADS & SDR Pipe
Includes Ring, Template and Bell Spigot Adapter



Part#/Prefix	Product Description	Minimum Structure Size
6004AG_	4" Add-a-Branch Field Installation Kit	8'
6006AG_	6" Add-a-Branch Field Installation Kit	10'
6008AG_	8" Add-a-Branch Field Installation Kit	12'
6010AG_	10" Add-a-Branch Field Installation Kit	15'
6012AG_	12" Add-a-Branch Field Installation Kit	18'
6015AG_	15" Add-a-Branch Field Installation Kit	24'
6004AG_30	4" Add-a-Branch Field Installation Kit Adapting to 30" Structure	30'
6006AG_30	6" Add-a-Branch Field Installation Kit Adapting to 30" Structure	30'
6008AG_30	8" Add-a-Branch Field Installation Kit Adapting to 30" Structure	30'
6010AG_30	10" Add-a-Branch Field Installation Kit Adapting to 30" Structure	30'
6012AG_30	12" Add-a-Branch Field Installation Kit Adapting to 30" Structure	30'
6015AG_30	15" Add-a-Branch Field Installation Kit Adapting to 30" Structure	30'
6018AG_30	18" Add-a-Branch Field Installation Kit Adapting to 30" Structure	30'

Note: Includes ring, Template and Bell Spigot Adapter.

How to Order an ADD-a-BRANCH

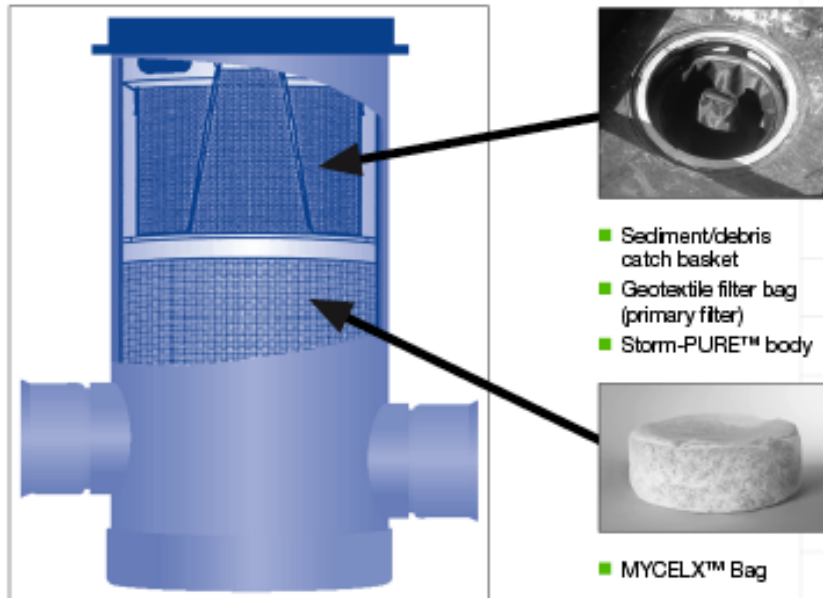
- Basin must be (2) sizes larger than the ADD-a-BRANCH that is being ordered.
- Pricing referenced on price sheet is for stand alone shipments.
- When ordering a basin (2) ADD-a-BRANCHes may be ordered at no charge if there are no outlets on the basin. (1) ADD-a-BRANCH may be ordered at no charge if there is (1) outlet. (2) or more stubs will incur charges per ADD-a-BRANCH.
- Must have part # and price listed separately on order.
- Part # must specify 'N' (Hancor or ADS), 'S' (SDR) or 'D' (DWV). However DWV is only available up to the 12" size.
- Must specify on drawing/order form under accessories (qty and size) when ordering a Basin.

Storm-PURE™ - Filtration System

The Nyloplast Storm-PURE system with MYCELX™ technology stands alone in its ability to remove suspended solids, hydrocarbons and other pollutants from storm water runoff!

Storm PURE®

F I L T R A T I O N S Y S T E M



- Low cost BMP solution for hydrocarbon and debris removal
- Superior flow and bypass design ensures capture and eliminates back-up
- Quick and easy installation and maintenance requirements
- 99% hydrocarbon removal efficiency under test conditions
- Lloyds Register third party certified testing procedure and removal rates

Pollutant Removal Performance

Analyzed Components	Unit	Reporting Limit	Influent	Effluent	Removal
Total Suspended Solids (TSS)	mg/L	5	36	11	69.44%
Total Petroleum Hydrocarbons (TPH)	mg/L	5	96.9	BRL	99.90%
*Chemical Oxygen Demand (COD)	mg/L	10	156	BRL	94.23%
*Nitrogen	mg/L	0.2	1.49	BRL	99.33%
*Total Phosphorus	mg/L	0.25	19.7	12.8	35.03%
*Iron	ug/L	100	1490	362	75.70%
*Copper	ug/L	5	86.2	11.5	86.66%
*Lead	ug/L	1	111.0	106	90.45%
*Zinc	ug/L	10	6060	286	95.28%

*Removal related to the components bonding with hydrocarbon molecules. BRL - Below Reporting Limit

Storm-Pure - Overview Chart

Part#/Prefix	Product Description
Storm-PURE includes Storm-PURE unit, Filter and Mycelx Bag	
5518AGL18	18" Storm-PURE WQI, 18" Length
5524AGL18	24" Storm-PURE WQI, 18" Length
5524AGL30	24" Storm-PURE WQI, 30" Length
5518AGTP24	18" Storm-PURE Transition Plate to 24" 2x2 or 2x3 Grate
5518AGTP30	18" Storm-PURE Transition Plate to 30" 2x2 or 2x3 Grate
5524AGTP30	24" Storm-PURE Transition Plate to 30" Round Grate
5599AGTP	Storm-PURE Misc. Transition Plate
Storm-PURE Replacement Parts	
5518AGFILTERL18	18" Filter 18" Length
5524AGFILTERL18	24" Filter 18" Length
5524AGFILTERL30	24" Filter 30" Length
5518AGMBAG	18" Mycelx Bag
5524AGMBAG	24" Mycelx Bag

Pour Ring

The pour ring is used with 8" and 10" structures. This allows for removal of the grate when body is encased.

Part#/Prefix	Product Description
2708AGCPR	8" pour ring
2710AGCPR	10" pour ring

Perforations

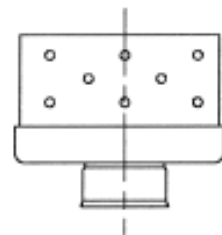
Perforations can be added to any structure for an additional charge. (Holes are 3/8 inch diameter)

Please make note on the drawing/order and include information or diagram for placement. Consult the **Perforation Schedule** below details.

Basin Size	Angle Between Holes	No. of Holes	Distance Between Holes	Diameter of Holes
8"	90	4	2.00	0.375
10"	90	4	2.00	0.375
12"	60	6	2.00	0.375
15"	60	6	2.00	0.375
18"	45	8	2.00	0.375
24"	45	8	2.00	0.375
30"	36	10	2.00	0.375

How to Order a Storm-Pure Unit

- Basin size must be 18" or larger. (The 18" Storm-PURE Unit can also be used in Road & Highway and Curb Inlet Structures with the addition of a transition plate. See chart at left.)
- Part number of unit and pricing must be entered on individual line within order.
- Components include Unit, Filter & Bag. These can be ordered separately as replacements. (See Storm-PURE Replacement Parts)

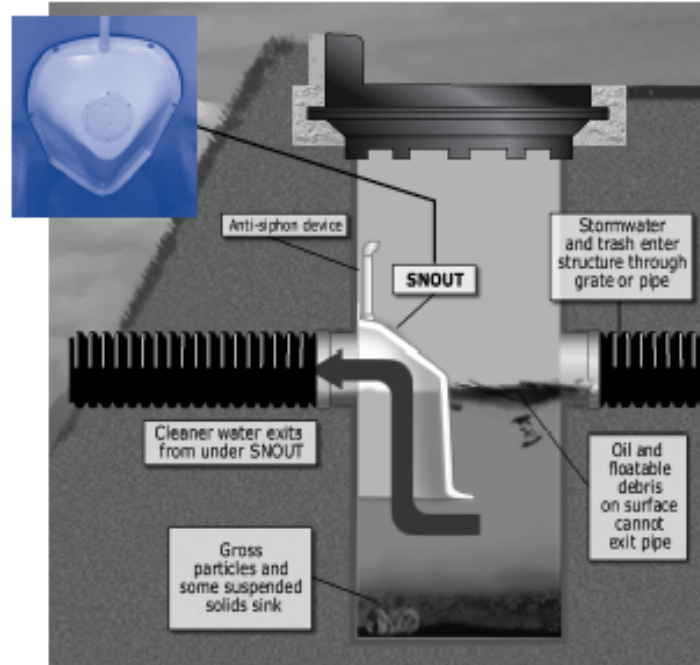


C900/C905 Branches

An additional charge per adapter applies to all products adapting to C900/C905 pipe to include, but not limited to, the following: Drain Basins, Inline Drains, Curb Inlet Structures and Road & Highway Structures.

Snout Structure

The Snout Structure is a Nyloplast catch basin with a plastic composite hood device attached to the inside wall of the catch basin structure designed to cover the outlet pipe in such a manner to prevent the exit of floating debris and oil.



How the Snout Structure Works:

- Contaminated storm water is captured in the Nyloplast catch basin structure.
- Majority of floatable trash and debris, and some free oils and grease, separate from water and float to top.
- Portion of the suspended solids settle to the bottom.
- Cleaner water from beneath surface flows through outlet pipe.

Snout Structure Benefits:

- Effective low cost simple solution for storm water treatment.
- Captures up to 96% of floatables, while providing significant capture of free oils and suspended solids.
- Easy to clean.
- Very low head loss.
- Highly corrosion resistant for long service life.
- Prevents siphoning of trapped contaminants.
- Converts existing structures into oil and debris trap.

Snout Structure Specifications:

Catch Basin Diameter	Maximum Outlet Pipe	Maximum Sump
18"	12"	24"
24"	15"	30"
30"	18"	36"

Snout Structure Overview Chart

Part#/Prefix	Product Description
2818AG_ _XSN	18" Snout Structure with 4" thru 12" outlet
2824AG_ _XSN	24" Snout Structure with 4" thru 15" outlet
2830AG_ _XSN	30" Snout Structure with 4" thru 18" outlet
3018AGS_ _XSN	18" 2'x2' Curb Inlet Snout Structure with 4" thru 12" outlet
3018AGR_ _XSN	18" 2'x3' Curb Inlet Snout Structure with 4" thru 12" outlet
3024AGS_ _XSN	24" 2'x2' Curb Inlet Snout Structure with 4" thru 15" outlet
3024AGR_ _XSN	24" 2'x3' Curb Inlet Snout Structure with 4" thru 15" outlet
3030AGS_ _XSN	30" 2'x2' Curb Inlet Snout Structure with 4" thru 18" outlet
3030AGR_ _XSN	30" 2'x3' Curb Inlet Snout Structure with 4" thru 18" outlet
3218AGS_ _XSN	18" 2'x2' Road & Hwy. Snout Structure with 4" thru 12" outlet
3218AGR_ _XSN	18" 2'x3' Road & Hwy. Snout Structure with 4" thru 12" outlet
3224AGS_ _XSN	24" 2'x2' Road & Hwy. Snout Structure with 4" thru 15" outlet
3224AGR_ _XSN	24" 2'x3' Road & Hwy. Snout Structure with 4" thru 15" outlet
3230AGS_ _XSN	30" 2'x2' Road & Hwy. Snout Structure with 4" thru 18" outlet
3230AGR_ _XSN	30" 2'x3' Road & Hwy. Snout Structure with 4" thru 18" outlet

How to Order a Snout Structure

Verify that requirements of the Drain Basin are met

1. Size of Basin (must be 18", 24" or 30")
 2. Number of Stubs
 3. Contact Nyloplast for Snout and Weir minimum angles (standard chart does not apply).
 4. Sump depth sufficient (see table page 28 for minimum sump requirement)
- Must have part # and price on individual line on order.
 - The Snout Structure should be ordered on the specific Snout Structure/Weir Structure order form on page 33
 - Part # specifies the size of stub, but should also be notated on the drawing / order form must also signify which stub will accept the Snout.

“Catch-It” Strainer Basket

The Nyloplast “Catch-It” is a removable catch basin insert fitted with a heavy duty geosynthetic fabric basket. It is designed to fill the needs of both construction and post construction applications. The short version is ideal for Inline Drains and other drainage structures with availability in 12”, 15”, 18”, 24”, & 30”. The long version fits inside the 12”, 15”, 18”, 24”, & 30” Drain Basins, Curb Inlet Structures and Road & Highway Structures.

Catch-It Strainer Basket benefits:

- Effective debris and sediment capture
- Low cost option
- Easy to install and service
- Simple design with effective overflow design to prevent backup
- Convenient lifting hooks on larger sizes
- BMP Solution



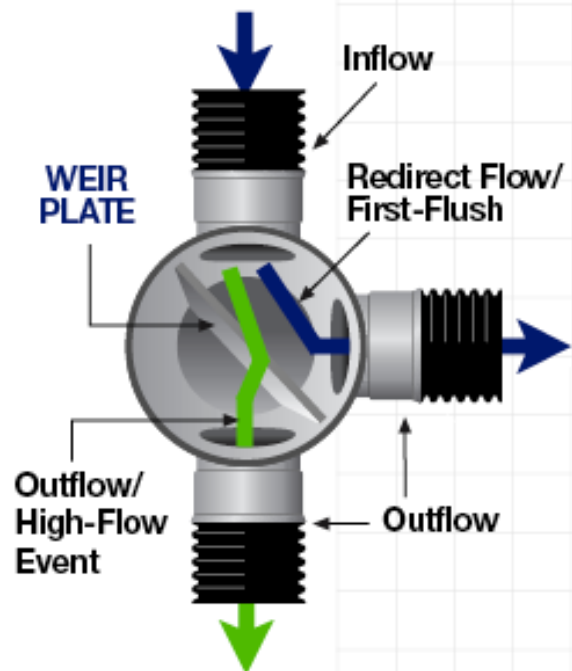
Weir Structure

How the Weir Structure Works:

- Storm water flows into the Nyloplast catch basin structure.
- The water flow is diverted to a desired outlet from the catch basin, typically to a water quality device, in order to effectively capture pollutants during the “first flush” of a storm event.
- The Weir Structure may also serve to restrict or regulate the flow of water exiting the drainage system. The restriction is determined by height of the weir and/or the size of the orifice hole in the weir plate.

Weir Structure Benefits:

- Simple and effective method to direct the inlet flow into a storm water management system or water quality device.
- Simple and effective method to regulate outlet flow from a storm water management system.
- Enhances ability of a water quality device to capture pollutants from storm event.
- Allows for flexibility to re-direct water flow during a high-flow event.
- Proven technology used for many years in the irrigation market.
- Nyloplast can customize Weir Structures (at the direction of the design engineer) to provide a variety of weir functions for site-specific needs, including “key way slot” and “v-notch” weir designs, and high flow or low flow orifice hole designs to further regulate the flow of storm water.



“Catch-It” Insert - Overview Chart

Part#/Prefix	Product Description
“Catch-It” Strainer Basket	
5712AGS	12" Catch-It Strainer Basket - Short Version
5715AGS	15" Catch-It Strainer Basket - Short Version
5718AGS	18" Catch-It Strainer Basket - Short Version
5724AGS	24" Catch-It Strainer Basket - Short Version
5730AGS	30" Catch-It Strainer Basket - Short Version
5712AGL	12" Catch-It Strainer Basket - Long Version
5715AGL	15" Catch-It Strainer Basket - Long Version
5718AGL	18" Catch-It Strainer Basket - Long Version
5724AGL	24" Catch-It Strainer Basket - Long Version
5730AGL	30" Catch-It Strainer Basket - Long Version

Weir - Overview Chart

Part#/Prefix	Product Description
24" Drain Basin with Weir Structure	
2824AG __ XWE	24" Custom Basin with Grate & Weir
30" Drain Basin with Weir Structure	
2830AG __ XWE	30" Custom Basin with Grate & Weir
24" Curb Inlet Structure with Weir- 2'x 2' Series Square Grate	
3024AGS __ XWE	24" Curb Inlet Structure with Grate & Weir
24" Curb Inlet Structure with Weir- 2'x 2' Series Rectangular Grate	
3024AGR __ XWE	24" Curb Inlet Structure with Grate & Weir
30" Curb Inlet Structure with Weir- 2'x 2' Series Square Grate	
3030AGS __ XWE	30" Curb Inlet Structure with Grate & Weir
30" Curb Inlet Structure with Weir- 2'x 3' Series Rectangular Grate	
3030AGR __ XWE	30" Curb Inlet Structure with Grate & Weir
24" Road & Highway Structure with Weir- 2'x 2' Series Square Grate	
3224AGS __ XWE	24" Road & Highway Structure with Grate & Weir
24" Road & Highway Structure with Weir-2'x 3' Series Rectangular Grate	
3224AGR __ XWE	24" Road & Highway Structure with Grate & Weir
30" Road & Highway Structure with Weir- 2'x 2' Series Square Grate	
3230AGS __ XWE	30" Road & Highway Structure with Grate & Weir
30" Road & Highway Structure with Weir-2'x 3' Series Rectangular Grate	
3230AGR __ XWE	30" Road & Highway Structure with Grate & Weir

How to Order a “Catch-It” Insert

- Both long and short versions are available. This is specified in the part #.
- Must be noted on drawing (order forms on pages 32 & 33).
- Both long and short versions can be used in 12" Drain Basins or larger.
- Inline Drains require short version.
- Must have part number and price on individual line on order.
- For Curb Inlet Structures and Road and Highway Structures please use Storm-PURE Transition Plate 5518AGTP24 or 5518AGTP30.

How to Order a Weir Structure

Verify that requirements of the Drain Basin are met:

1. Size of Basin
 2. Number of Stubs
 3. Angles of stubs meet requirements (see angle chart on page 1)
- Get pricing estimate. (Pricing aid will be supplied for this procedure. If price cannot be determined, contact Nyloplast.)
 - The Weir Structure should be ordered on the specific Snout Structure/Weir Structure order form on page 33
 - Contact Nyloplast for lead-time and relay information to customer. This will be determined on a case-by-case scenario.

Order Form

Drain Basins
Curb Inlet Structures
Road & Hwy. Structures

Order Form #NP113

ORDER# _____

JOB NAME _____ DATE _____

DRAWING # _____ CUSTOMER INITIAL _____

DRAIN BASIN SIZE _____ GRATE STYLE _____

(for Roll Curb Inlet, left or right flow) LEFT RIGHT

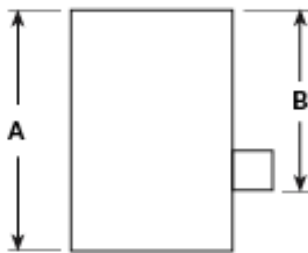
TOP VIEW



Stub Size / Location (Degrees) / Type of Pipe

Stub #1	_____ / _____ / _____
Stub #2	_____ / _____ / _____
Stub #3	_____ / _____ / _____
Stub #4	_____ / _____ / _____

SIDE VIEW



A - Overall Height (Inches)

B - Top of Grate to Bottom of Stub (Flowline) (Inches)

Stub #1	_____	_____
Stub #2	_____	_____
Stub #3	_____	_____
Stub #4	_____	_____

Accessories

Refer to "Price Book" or "Price List" for part numbers and details.

Add-a-Branch™ (qty./size/pipe type)	
StormPURE™ (Length)	
18" Diameter <input type="checkbox"/>	
24" Diameter <input type="checkbox"/>	18" <input type="checkbox"/> 30" <input type="checkbox"/>
"Catch-It" Strainer Basket	
Long <input type="checkbox"/>	Short <input type="checkbox"/>

NOTE:

A separate Order Form is used (NP131) for Snout® Structure/Weir Structure

JOB NAME _____ DATE _____

DRAWING # _____ CUSTOMER INITIAL _____

DRAIN BASIN SIZE _____ GRATE STYLE _____

(for Roll Curb Inlet, left or right flow) LEFT RIGHT

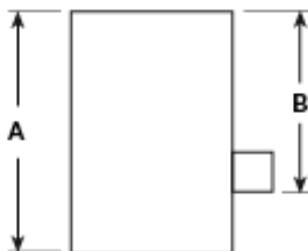
TOP VIEW



Stub Size / Location (Degrees) / Type of Pipe

Stub #1	_____ / _____ / _____
Stub #2	_____ / _____ / _____
Stub #3	_____ / _____ / _____
Stub #4	_____ / _____ / _____

SIDE VIEW



A - Overall Height (Inches)

B - Top of Grate to Bottom of Stub (Flowline) (Inches)

Stub #1	_____	_____
Stub #2	_____	_____
Stub #3	_____	_____
Stub #4	_____	_____

Accessories

Refer to "Price Book" or "Price List" for part numbers and details.

Add-a-Branch™ (qty./size/pipe type)	
StormPURE™ (Length)	
18" Diameter <input type="checkbox"/>	
24" Diameter <input type="checkbox"/>	18" <input type="checkbox"/> 30" <input type="checkbox"/>
"Catch-It" Strainer Basket	
Long <input type="checkbox"/>	Short <input type="checkbox"/>

NOTE:

A separate Order Form is used (NP131) for Snout® Structure/Weir Structure

NOTE: Drawings need to be complete - This product is made to order and non-refundable.

Nyloplast • 3130 Verona Avenue • Buford, Georgia 30518 • (866) 888-8479 & (770) 932-2443

ORDER# _____

SNOUT STRUCTURE WEIR STRUCTURE

JOB NAME _____ DATE _____

DRAWING # _____ CUSTOMER INITIAL _____

DRAIN BASIN SIZE _____ GRATE STYLE _____
(for Roll Curb Inlet, left or right flow) LEFT RIGHT

Accessories

Refer to "Price Book" or "Price List" for part numbers and details.

Add-a-Branch™ (qty./size/pipe type)

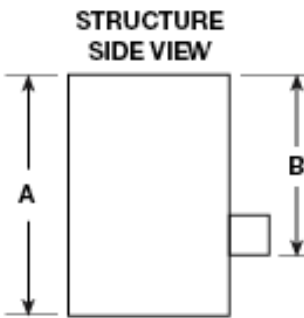
StormPURE™ (Length)

18" Diameter

24" Diameter 18" 30"

"Catch-It" Strainer Basket

Long Short



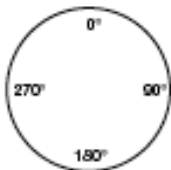
	Stub Size	Location (Degrees)	Type of Pipe
Stub #1	_____ /	_____ /	_____ /
Stub #2	_____ /	_____ /	_____ /
Stub #3	_____ /	_____ /	_____ /
Stub #4	_____ /	_____ /	_____ /

A - Overall Height (Inches)

B - Top of Grate to Bottom of Stub (Flowline) (Inches)

Circle the Outlet to be covered by Snout or Weir:

TOP VIEW



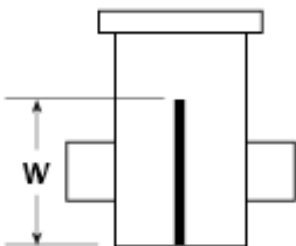
Stub #1	_____	Stub #1
Stub #2	_____	Stub #2
Stub #3	_____	Stub #3
Stub #4	_____	Stub #4

NOTES:

Draw the placement of Weir or Snout in desired location on top view above.

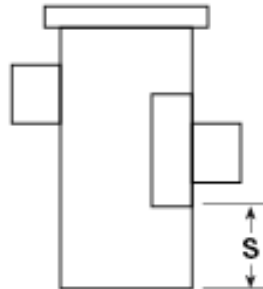
NOTE: Drawings need to be complete - This product is made to order and non-refundable.

WEIR STRUCTURE SIDE VIEW



W - Weir Height (bottom of structure to top of Weir)
Orifice Diameter
Orifice Invert (from top of structure)

SNOUT STRUCTURE SIDE VIEW



S - Sump Depth (minimum required see key below)

Catch Basin Diameter	Minimum Sump
18"	24"
24"	30"
30"	36"

NOTE: Drawings need to be complete - This product is made to order and non-refundable.

Nyloplast • 3130 Verona Avenue • Buford, Georgia 30518 • (866) 888-8479 & (770) 932-2443

How to Build a Part Number

Prefixes:

27 = Inline Drain **29** = Riser **32** = Road & Highway
28 = Drain Basin **30** = Curb Inlet Structure Structure

Inline Drains

Formula: 27__AG__X

The first set of blanks is the size of the body
(Choose from 08,10,12,15,18,24,30)

The second set of blanks is the size of pipe adapting to
(Choose from 04,06,08,10,12,15,18,24,30)

The **X** represents the type of pipe adapting to. Replace **X** with one of the following:

N = ADS / Hancor dual wall pipe

D = DWV Sch 40 or Sch 80

S = SDR-35 or SDR-26 (also known as 3034 or sewer)

O = Big O / Armtec

If type of pipe does not fit any of these, leave X blank and note type of pipe and outside diameter of pipe.

Drain Basins

Formula: 28__AG__X

The first set of blanks is the size of the body
(Choose from 08,10,12,15,18,24,30)

The second set of blanks is the number of branches (Choose from 01 thru 05)

The **X** represents the type of pipe adapting to. Replace **X** with one of the following:

N = ADS / Hancor dual wall pipe

D = DWV Sch 40 or Sch 80

S = SDR 35 or SDR 26 (also known as 3034 or sewer)

DR = Single wall or other corrugated pipe

If branches are mixed (two or more different types of pipe), leave X as blank.

If type of pipe does not fit any of these, please note type of pipe and outside diameter of pipe on drawing and use part # with number of branches but no ending

Risers

Formula: 29__AGX

The blanks are the size of the body (Choose from 08,10,12,15,18,24,30)

The **X** represents **01** = 1 foot, **02** = 2 foot.

Please order as Qty of each and line note the height of the riser.

Example: 3 each 2912AG (12" riser section)

Line note: 3 each - 2 ft tall

Prefixes:

27 = Inline Drain **30** = Curb Inlet Structure
28 = Drain Basin **32** = Road & Highway Structure
29 = Riser

Curb Inlet Structures

2'x 2' Series Square Grate

Formula: 30 __ __ AGS __ __ X

The first set of blanks is the size of the body
(Choose from 12,15,18,24,30)

The second set of blanks is the number of branches (Choose from 01 thru 05)

The **X** represents the type of pipe adapting to. Replace **X** with one of the following:

N = ADS / Hancor dual wall pipe

D = DWV Sch 40 or Sch 80

S = SDR-35 or SDR-26 (also known as 3034 or sewer)

DR = Single wall or other corrugated pipe

If branches are mixed (two or more different types of pipe), leave X as blank.

If type of pipe does not fit any of these, please note outside diameter of pipe on drawing and use part # with number of branches but no ending

Curb Inlet Structures

2'x 3' Series Rectangular Grate

Formula: 30 __ __ AGR __ __ X

The first set of blanks is the size of the body
(Choose from 18,24,30)

The second set of blanks is the number of branches (Choose from 01 thru 05)

The **X** represents the type of pipe adapting to. Replace **X** with one of the following:

N = ADS / Hancor dual wall pipe

D = DWV Sch 40 or Sch 80

S = SDR-35 or SDR-26 (also known as 3034 or sewer)

DR = Single wall or other corrugated pipe

If branches are mixed (two or more different types of pipe), leave X as blank.

If type of pipe does not fit any of these, please note outside diameter of pipe on drawing and use part # with number of branches but no ending

How to Build a Part Number

Prefixes:

27 = Inline Drain **30** = Curb Inlet Structure
28 = Drain Basin **32** = Road & Highway Structure
29 = Riser

Road & Highway Structures

2'x 2' Series Square Grate

Formula: 32__ __ AGS __ __ X

The first set of blanks is the size of the body
(Choose from 12,15,18,24,30)

The second set of blanks is the number of branches (Choose from 01 thru 05)

The **X** represents the type of pipe adapting to. Replace **X** with one of the following:

N = ADS / Hancor dual wall pipe

D = DWV Sch 40 or Sch 80

S = SDR-35 or SDR-26 (also known as 3034 or sewer)

DR = Single wall or other corrugated pipe

If branches are mixed (two or more different types of pipe), leave X as blank.

If type of pipe does not fit any of these, please note outside diameter of pipe on drawing and use part # with number of branches but no ending

Grate must be ordered separately. See page (24) for grate ordering.

Gaskets are included.

Road & Highway Structures

2'x 3' Series Rectangular Grate

Formula: 32__ __ AGR __ __ X

The first set of blanks is the size of the body
(Choose from 18,24,30)

The second set of blanks is the number of branches (Choose from 01 thru 05)

The **X** represents the type of pipe adapting to. Replace **X** with one of the following:

N = ADS / Hancor dual wall pipe

D = DWV Sch 40 or Sch 80

S = SDR-35 or SDR-26 (also known as 3034 or sewer)

DR = Single wall or other corrugated pipe

If branches are mixed (two or more different types of pipe), leave X as blank.

If type of pipe does not fit any of these, please note outside diameter of pipe on drawing and use part # with number of branches but no ending

Grate must be ordered separately. See page (24) for grate ordering.

Gaskets are included.



Pre-Cast Concrete Materials Cost

CONCRETE BOX
Complete w/ Bottom,
Adapter Top and Outlets _____

Frame & Grate or
Frame, Grate & Hood _____

5g Buckets of Non-Shrink Grout
@ \$_____ per Bucket _____

Grade Rings or Brick _____

Installation Cost

TRACK HOE & OPERATOR
Equipment, Wages, Benefits
& Taxes
_____ hours @ \$_____ per hr. _____

LABORER: 1, 2, 3 MEN
Wages, Benefits & Taxes
(Knock Out Holes, Set the Structure,
Installing Frame & Grate and
Grouting Inlets & Outlets)
_____ hours @ \$_____ per hr. _____

TOTAL COST _____

Built-In-Place Materials Cost

BRICK STRUCTURE
Brick _____
Mortar _____

Frame & Grate or
Frame, Grate & Hood _____

CAST-IN-PLACE
Framing Lumber _____
Concrete _____

Installation Cost

TRACK HOE & OPERATOR
Equipment, Wages, Benefits
& Taxes
_____ hours @ \$_____ per hr. _____

LABORER: 1, 2, 3 MEN
Wages, Benefits & Taxes
_____ hours @ \$_____ per hr. _____

TOTAL COST _____



Nyloplast[®] PVC Structure Materials Cost

COMPLETE UNIT
Basin, Frame, Grate
and Hood, ASTM
F-477 Gasket _____

H-20 RATED
1/3 Cubic Yard of Concrete
(for H-20 Rated Only) _____

Installation Cost

**RUBBER-TIRE BACK HOE
& OPERATOR**
Equipment, Wages, Benefits & Taxes
_____ hours* @ \$_____ per hr. _____

LABORER: 1, 2 MEN
Wages, Benefits & Taxes
_____ hours* @ \$_____ per hr. _____

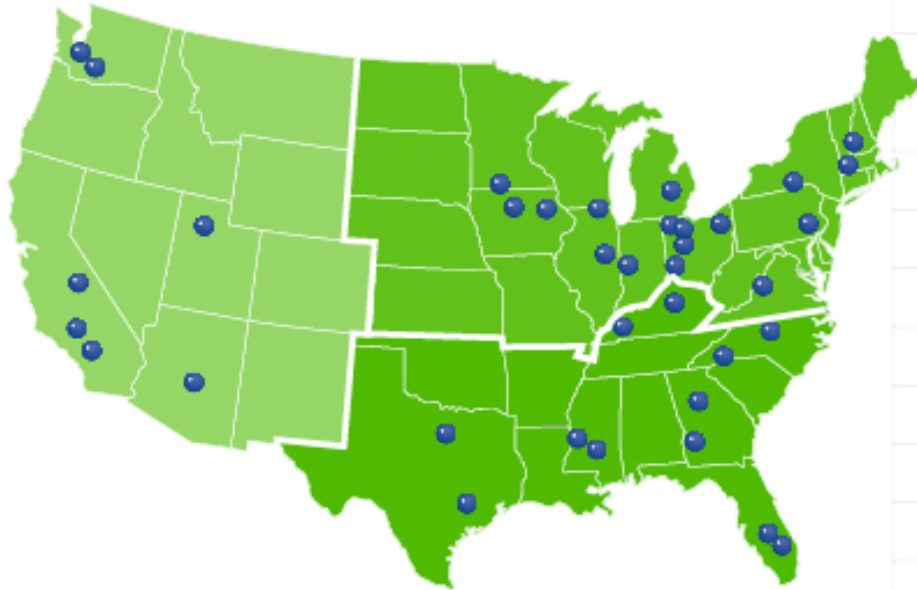


*Hours to Install

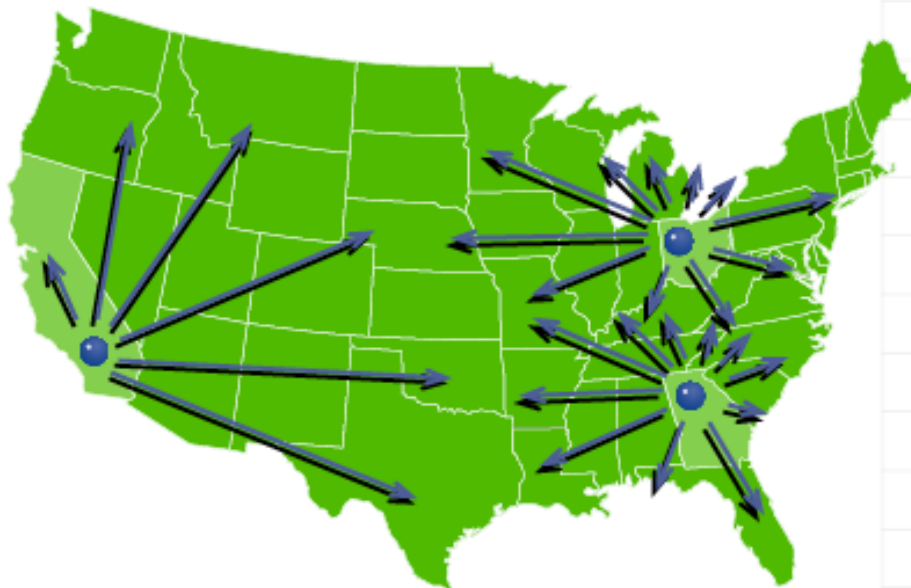
In line Drain	.77 hr.
Drain Basin (Non H-20 Rated)	1 hr.
Drain Basin (H-20 Rated)	1.33 hr.
Road & Highway	1.5 hr.
Curb Inlet	1.75 hr.

TOTAL COST _____

ADS[®] Sales & Service Locations



- **Manufacturing Facility Locations**
- **Midwest/Northeast Zone Office** London, OH • 1-800-733-9554
- **Southern Zone Office** Franklin, TN • 1-800-733-9987
- **Western Zone Office** Vancouver, WA • 1-800-733-8523



Strategic Shipping Locations

The strategic location of our manufacturing facilities located in Buford, Georgia Fontana, California and Findlay, Ohio makes for fast arrival just about anywhere in North America. In fact, once you've worked with our products and experienced our service, we're confident you'll be impressed.

Freight Policy:

For Nyloplast structures, *freight prepaid* on orders *\$2,000 and over*, FOB Buford, GA, Fontana, CA, or Findlay, OH. This includes any orders shipping from other facilities within the continental US.

Return Policy:

Due to the fact that each structure is custom made, drain basins, curb inlet structures, road and highway structures, snout structures, weir structures are all *Non-cancelable* and *Non-returnable*.

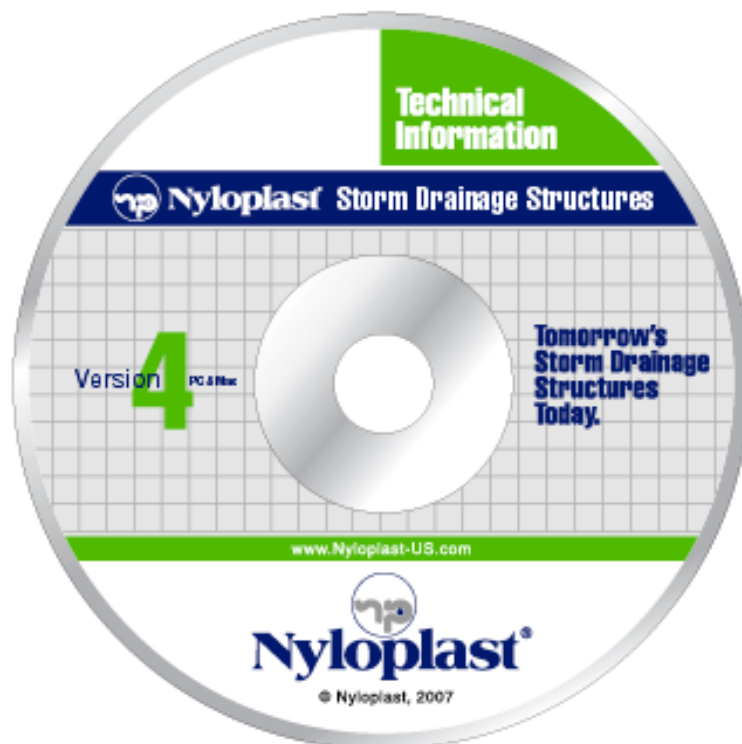
Returns of Inline Drains or Grates with credit amounts in excess of \$2,000 must be pre-approved by Nyloplast General Manager. Restocking fees on Inline Drains and Grates to be determined per incident. All products should be returned to the Nyloplast plant in Buford, GA, Fontana, CA, or Findlay, OH unless the product is a standard stocking item at the nearest pipe plant or distribution center. All return freight to be paid by customer.

C900/C905 Branches:

An additional charge per adapter applies to all products adapting to C900/C905 pipe to include, but not limited to, the following: Drain Basins, Inline Drains, Curb Inlet Structures and Road & Highway Structures.

Interactive CD Rom Available

We are always working to improve the tools and information available for our customers. The latest interactive CD Rom gives you technical information, photographs and drawings to assist you in specifying storm drainage products for all your future projects.



For a copy of our latest CD Rom and other promotional literature please call us at: (866) 888-8479

**Tomorrow's
Storm Drainage
Structures
Today.**





Tomorriw's
Storm Drainage
Structures
Today.



Phone:

(866) 888 - 8479

(770) 932 - 2443

Main Fax:

(770) 932 - 2490

Nyloplast

3130 Verona Avenue
Buford, Georgia 30518

www.ads-pipe.com